

Simple and elegant

The pleasing triple lines of the three-column model will warm your soul, while its powerful heating element will keep the rest of you perfectly toasty.

MODEL SHOWN: C3060919W



- Vertical columns (each one with three sections)
- A choice of 37 models to suit your needs from 1356 BTU (397 Watts) up to 8788 BTU (2573 Watts)
- High quality white powder coat finish (RAL 9010)
- Sizes from H 300mm x L 864mm to H 2000mm x L 598mm
- 5 year warranty
- Built to last: 1.5mm thick mild steel for guaranteed quality
- Tested to BS EN 442 Standards
- ISO9001:2008 Registered Manufacturer
- CE Marked

3 COLUMN

RAL 9010

10

95°C

C

H V

5 YEARS

WHITE

WORKING PRESSURE

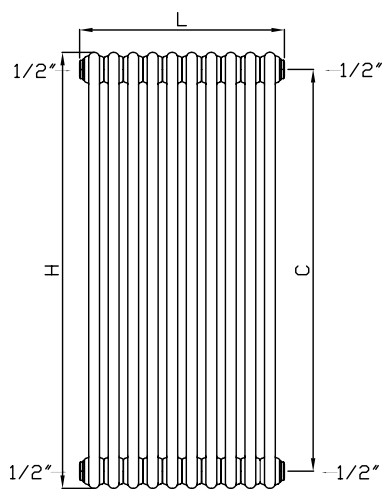
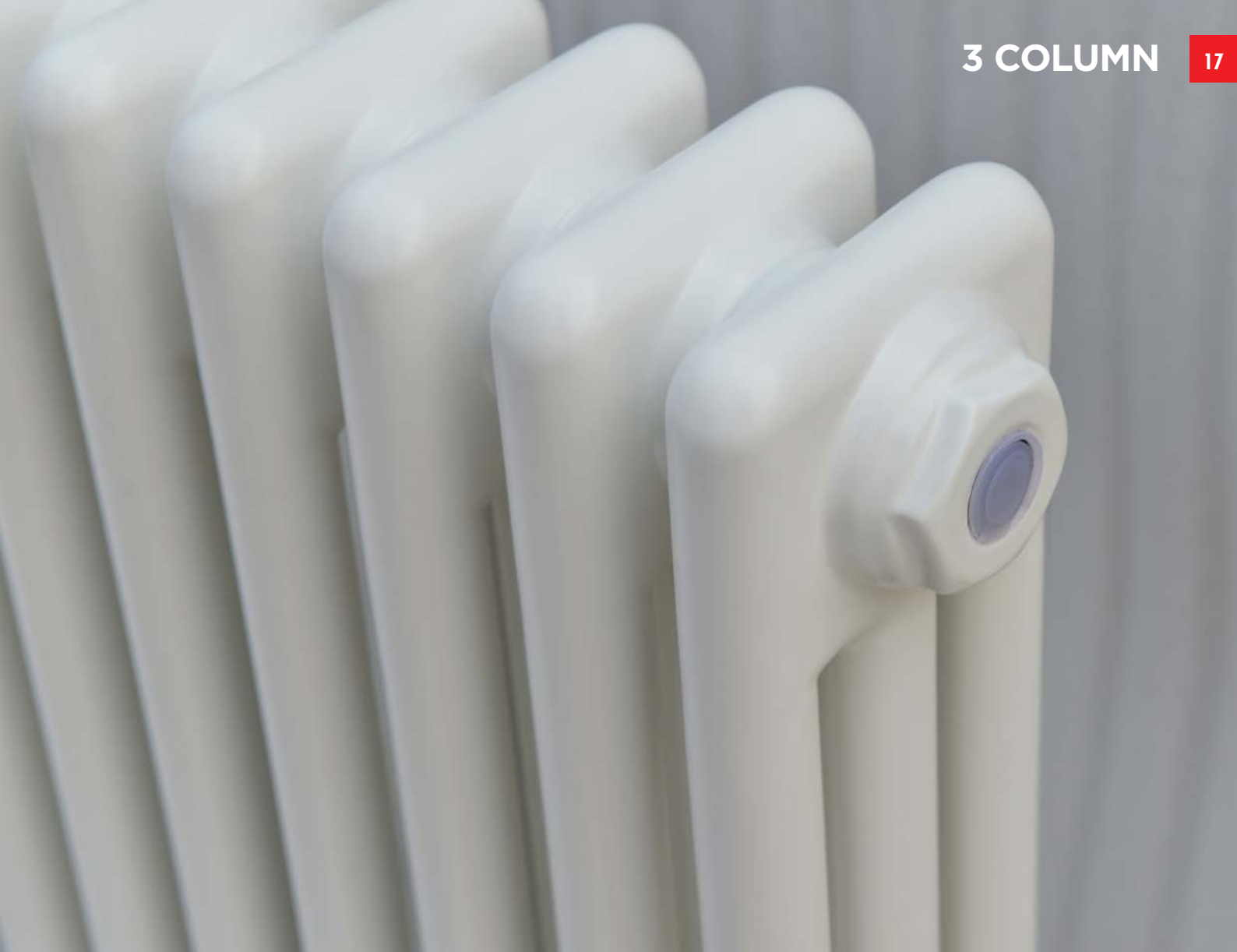
WORKING TEMPERATURE

CLOSED SYSTEM

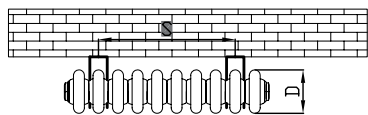
MOUNT POSITION

WARRANTY

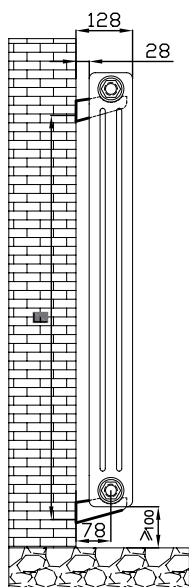
Product Name	Height mm	Length mm	Depth mm	Pipe Centres mm	Wall to Pipe Centre mm	Wall to Face mm	Water Content lt	Gross Weight kg	Fuel Options E/H/D	Mount Position H/V	Heat Output ΔT 50	
											BTU	Watts
C3030919	300	864	100	954	78	128	10.8	21.1	H	H	2297	673
C3031125	300	1130	100	1220	78	128	14.3	27.4	H	H	3023	885
C3031432	300	1440	100	1530	78	128	18.2	34.8	H	H	3869	1133
C3031636	300	1617	100	1707	78	128	20.5	38.8	H	H	4353	1274
C3040409	400	421	100	511	78	128	6.0	13.2	H	H	1380	404
C3040613	400	598	100	688	78	128	8.8	18.4	H	H	1995	584
C3040716	400	731	100	821	78	128	10.8	22.4	H	H	2452	718
C3040919	400	864	100	954	78	128	12.8	26.4	H	H	2914	853
C3041125	400	1130	100	1220	78	128	16.9	34.3	H	H	3832	1122
C3041432	400	1440	100	1530	78	128	21.6	43.5	H	H	4905	1436
C3041636	400	1617	100	1707	78	128	24.4	48.8	H	H	5520	1616
C3050409	500	421	100	511	78	128	7.2	15.1	H	H	1824	534
C3050613	500	598	100	688	78	128	10.4	21.8	H	H	2635	771
C3050716	500	731	100	821	78	128	12.8	26.8	H	H	3243	949
C3050919	500	864	100	954	78	128	15.2	31.9	H	H	3851	1127
C3051125	500	1130	100	1220	78	128	20.0	41.9	H	H	5067	1483
C3051432	500	1440	100	1530	78	128	25.6	53.7	H	H	6486	1899
C3051636	500	1617	100	1707	78	128	28.8	60.4	H	H	7296	2136
C3060306	600	288	100	378	78	128	5.8	12.1	H	H	1356	397
C3060408	600	377	100	467	78	128	7.7	16.1	H	H	1807	529
C3060409	600	421	100	511	78	128	8.6	18.1	H	H	2001	586
C3060613	600	598	100	688	78	128	12.5	25.6	H	H	2891	846
C3060716	600	731	100	821	78	128	15.4	31.2	H	H	3558	1042
C3060919	600	864	100	954	78	128	18.2	36.8	H	H	4225	1237
C3061125	600	1130	100	1220	78	128	24.0	48.0	H	H	5559	1628
C3061432	600	1440	100	1530	78	128	30.7	61.0	H	H	7115	2083
C3061636	600	1617	100	1707	78	128	34.6	68.5	H	H	8005	2344
C3180306	1800	288	100	378	78	128	14.9	32.1	H	V	3650	1069
C3180408	1800	377	100	467	78	128	19.9	42.8	H	V	4867	1425
C3180409	1800	421	100	511	78	128	22.4	48.2	H	V	5475	1603
C3180510	1800	465	100	555	78	128	24.9	53.5	H	V	6083	1781
C3180613	1800	598	100	688	78	128	32.4	69.6	H	V	7907	2315
C3200306	2000	288	100	378	78	128	16.5	35.5	H	V	4054	1187
C3200408	2000	377	100	467	78	128	22.0	47.3	H	V	5407	1583
C3200409	2000	421	100	511	78	128	24.8	53.2	H	V	6083	1781
C3200510	2000	465	100	555	78	128	27.5	59.1	H	V	6732	1971
C3200613	2000	598	100	688	78	128	35.8	76.8	H	V	8788	2573
C3FT	202	30	107					1.30				



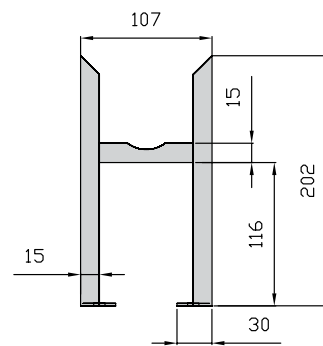
3 Column Front View



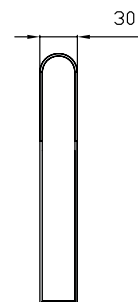
3 Column Top View



3 Column Side View



C3FT Feet Front View



C3FT Feet Side View