

## Effective heating

Sitting flat against the wall, the two-column model fits almost any space, heating the room effectively and unobtrusively. Perfect for smaller rooms.

MODEL SHOWN: C2150510W



- Vertical columns (each one with two sections)
- A choice of 21 models to suit your needs from 904 BTU (265 Watts) up to 5337 BTU (1562 Watts)
- High quality white powder coat finish (RAL 9010)
- Sizes from H 600mm x L 288mm to H 2000mm x L 465mm
- 5 year warranty
- Built to last: 1.5mm thick mild steel for guaranteed quality
- Tested to BS EN 442 Standards
- ISO9001:2008 Registered Manufacturer
- CE Marked

## 2 COLUMN

RAL 9010

WHITE

10

WORKING PRESSURE

95°C

WORKING TEMPERATURE

C

CLOSED SYSTEM

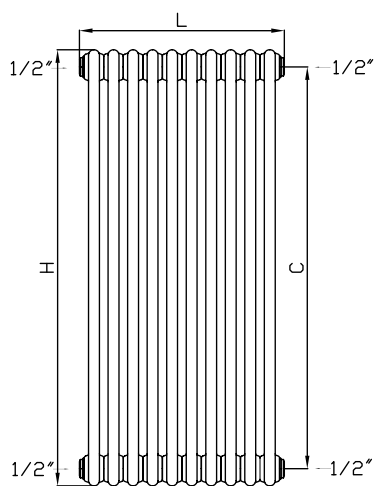
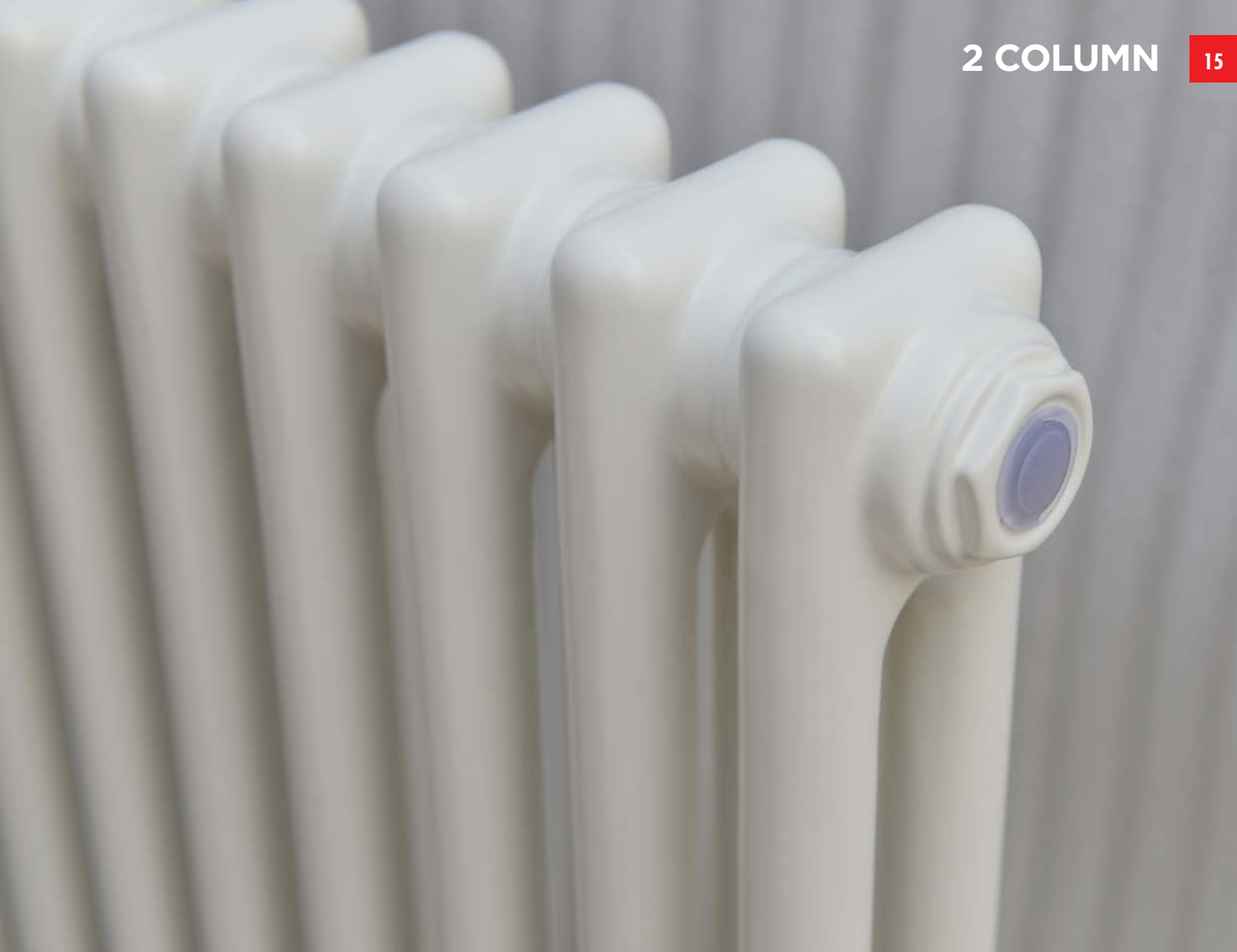
H V

MOUNT POSITION

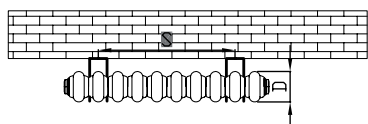
5 YEARS

WARRANTY

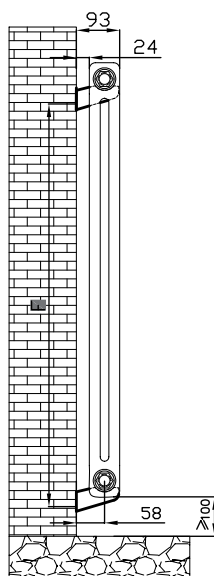
Product Name	Height mm	Length mm	Depth mm	Pipe Centres mm	Wall to Pipe Centre mm	Wall to Face mm	Water Content lt	Gross Weight kg	Fuel Options E/H/D	Mount Position H/V	Heat Output $\Delta T 50$	
											BTU	Watts
C2060306	600	288	69	378	58	93	3.8	8.1	H	H	904	265
C2060408	600	377	69	467	58	93	5.1	10.8	H	H	1205	353
C2060409	600	421	69	511	58	93	5.7	8.1	H	H	1356	397
C2060613	600	598	69	688	58	93	8.2	7.2	H	H	1927	564
C2060716	600	731	69	821	58	93	10.1	5.0	H	H	2372	694
C2060919	600	864	69	954	58	93	12.0	4.1	H	H	2817	825
C2061125	600	1130	69	1220	58	93	15.8	3.4	H	H	3706	1085
C2061432	600	1440	69	1530	58	93	20.3	2.6	H	H	4744	1389
C2061636	600	1617	69	1707	58	93	22.8	2.0	H	H	5337	1562
C2090408	900	377	69	467	58	93	7.6	16.2	H	V	1836	538
C2090510	900	465	69	555	58	93	9.5	19.9	H	V	2295	672
C2120408	1200	377	69	467	58	93	9.7	20.7	H	V	2410	706
C2120510	1200	465	69	555	58	93	12.1	25.6	H	V	3013	882
C2150408	1500	377	69	467	58	93	11.8	25.3	H	V	2981	873
C2150510	1500	465	69	555	58	93	14.8	31.2	H	V	3726	1091
C2180204	1800	200	69	290	58	93	7.0	15.8	H	V	1788	524
C2180306	1800	288	69	378	58	93	10.5	22.8	H	V	2683	785
C2180408	1800	377	69	467	58	93	14.0	29.9	H	V	3577	1047
C2180510	1800	465	69	555	58	93	17.5	36.9	H	V	4471	1309
C2200408	2000	377	69	467	58	93	15.6	32.9	H	V	3959	1159
C2200510	2000	465	69	555	58	93	19.5	40.6	H	V	4949	1449
C2FT	202	30	76					1.2				



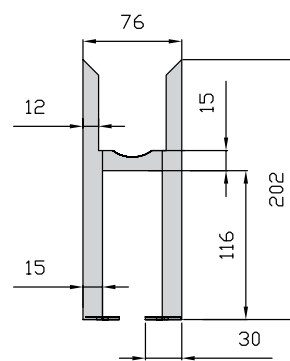
Front View



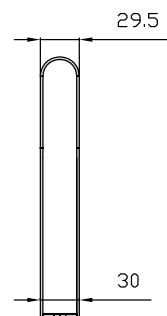
Top View



Side View



C2FT Feet Front View



C2FT Feet Side View