



IMZA

Reliable and beautiful, created from top quality materials. This slim radiator will become an invaluable part of your home in no time at all and there is a towel bar option for added versatility.

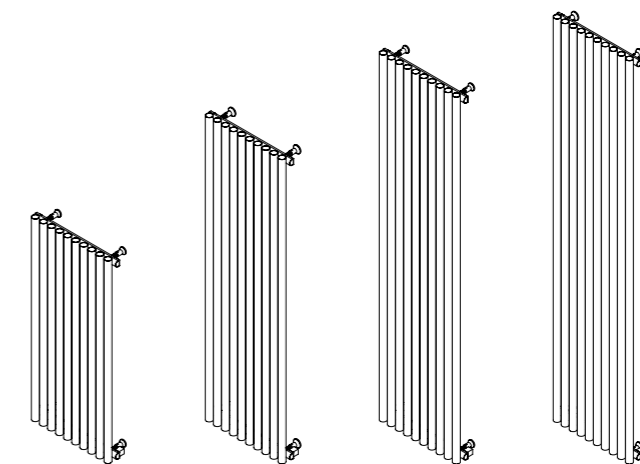
Model shown on opposite page: IMZ200-S (brushed matt) Above left: IMZ200-P (polished)

IMZA

SS MATERIAL
 10 WORKING PRESSURE
 120°C WORKING TEMP.
 O C OPEN/CLOSED SYSTEM
 V H MOUNT POSITION
 20 YEARS WARRANTY

Product Name	Height (mm)	Length (mm)	Depth (mm)	Fuel Options (E/H/D)	Pipes or Sections	Heat Output (BTU/w) ΔT 50		E: Electric only Choice of Elements (Watts)		Finish S: Brushed Matt P: Polished
IMZ100	1000	470	50	E/H/D	10	2978	872	300	400	S, P
IMZ150	1500	470	50	E/H/D	10	4485	1313	400	600	S, P
IMZ180	1800	470	50	E/H/D	10	5362	1570	400	600	S, P
IMZ200	2000	470	50	E/H/D	10	5960	1745	600	900	S, P
ITB10 (Towel Bar)	32	420	60							S, P

We recommend the 3 Bar Safety Valve for all ELECTRIC ONLY (E) products. Dual Fuel is possible either by use of "T" piece and radiator valve or by use of ONE850 or ONE851 (4 way valve)



Call us on 01908 271155 or visit www.aeon.uk.com