



Model shown with brushed chrome finish

Model shown with gold trim

SERHAD

Reliable and bold. This chic design brings the humble towel rail bang up to date with flair and finesse. Don't be fooled by its simplicity. This is engineering brilliance.

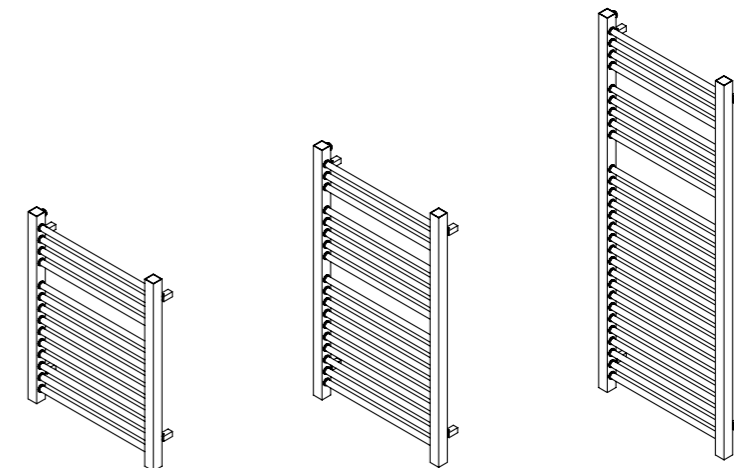
i Model shown on opposite page: SRD150-50-S (brushed chrome finish)

SERHAD

SS MATERIAL
10 WORKING PRESSURE
120°C WORKING TEMP.
O C OPEN/CLOSED SYSTEM
V MOUNT POSITION
20 YEARS WARRANTY

Product Name	Height (mm)	Length (mm)	Depth (mm)	Fuel Options (E/H/D)	Towel Gaps	Pipes or Sections	Heat Output (BTU/w) ΔT 50		E: Electric only Choice of Elements (Watts)		Finish S: Brushed Matt P: Polished
							1	2	300	400	
SRD75	750	580	40	E/H/D	1	14	1592	466	300	400	S, P
SRDE76	750	680	40	E/H/D	1	14	1718	503	300	400	S, P
SRD105	1000	580	40	E/H/D	2	18	2036	596	400	600	S, P
SRD106	1000	680	40	E/H/D	2	18	2145	628	400	600	S, P
SRD155	1500	580	40	E/H/D	3	28	3299	966	600	900	S, P
SRD156	1500	680	40	E/H/D	3	28	3392	993	600	900	S, P

We recommend the 3 Bar Safety Valve for all ELECTRIC ONLY (E) products. Dual Fuel is possible either by use of "T" piece and radiator valve or by use of ONE850 or ONE851 (4 way valve)



Call us on 01908 271155 or visit www.aeon.uk.com