

PLANAL HORIZONTAL

Smooth heating

Planal Horizontal radiators are ideal for modern living rooms or offices where the look of your choice can be easily extended across a flat, smooth, horizontally mounted heating surface.

 MODEL SHOWN: 6PDS800



PLANAL HORIZONTAL

RAL 9016
 WORKING PRESSURE
 WORKING TEMP.
 CLOSED SYSTEM
 MOUNT POS.
 WARRANTY

Product Name	Height mm	Length mm	Depth mm	Pipe Centres mm	Wall to Pipe Centre mm	Wall to Face mm	Water Content lt	Gross Weight kg	Fuel Options E/H/D	Heat Output ΔT 50	BTU	Watts
--------------	-----------	-----------	----------	-----------------	------------------------	-----------------	------------------	-----------------	--------------------	-------------------	-----	-------

Type PSS

3PSS500	300	500	61	590 - 50	33-44	70-81	0.7	6.7	H	888	260
3PSS800	300	800	61	890 - 50	33-44	70-81	1.1	9.9	H	1419	415
3PSS1000	300	1000	61	1090 - 50	33-44	70-81	1.4	12.0	H	1774	519
3PSS1200	300	1200	61	1290 - 50	33-44	70-81	1.7	14.2	H	2129	623
3PSS1400	300	1400	61	1490 - 50	33-44	70-81	2.0	16.3	H	2484	727
3PSS2000	300	2000	61	2090 - 50	33-44	70-81	2.8	22.8	H	3548	1039

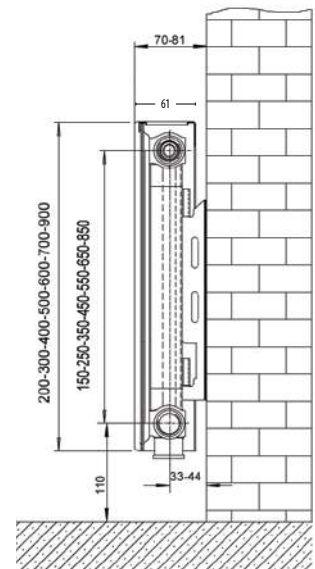
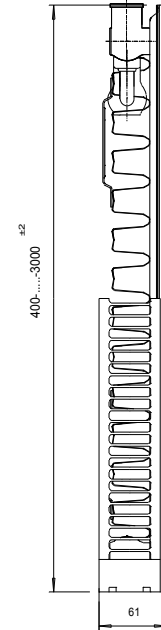
4PSS400	400	400	61	490 - 50	33-44	70-81	0.8	7.3	H	914	268
4PSS500	400	500	61	590 - 50	33-44	70-81	1.0	8.7	H	1143	335
4PSS600	400	600	61	690 - 50	33-44	70-81	1.2	10.1	H	1372	401
4PSS700	400	700	61	790 - 50	33-44	70-81	1.4	11.5	H	1600	468
4PSS800	400	800	61	890 - 50	33-44	70-81	1.6	12.9	H	1829	535
4PSS900	400	900	61	990 - 50	33-44	70-81	1.8	14.3	H	2057	602
4PSS1000	400	1000	61	1090 - 50	33-44	70-81	2.0	15.7	H	2286	669
4PSS1100	400	1100	61	1190 - 50	33-44	70-81	2.2	16.8	H	2515	736
4PSS1200	400	1200	61	1290 - 50	33-44	70-81	2.3	18.5	H	2743	803
4PSS1400	400	1400	61	1490 - 50	33-44	70-81	2.7	21.3	H	3200	937
4PSS1600	400	1600	61	1690 - 50	33-44	70-81	3.1	24.1	H	3658	1070
4PSS1800	400	1800	61	1890 - 50	33-44	70-81	3.5	27.1	H	4115	1204
4PSS2000	400	2000	61	2090 - 50	33-44	70-81	3.9	29.9	H	4572	1338

5PSS400	500	400	61	490 - 50	33-44	70-81	1.0	8.9	H	1099	322
5PSS500	500	500	61	590 - 50	33-44	70-81	1.2	10.7	H	1374	402
5PSS600	500	600	61	690 - 50	33-44	70-81	1.5	12.4	H	1649	482
5PSS700	500	700	61	790 - 50	33-44	70-81	1.7	14.2	H	1924	563
5PSS800	500	800	61	890 - 50	33-44	70-81	2.0	15.9	H	2198	643
5PSS900	500	900	61	990 - 50	33-44	70-81	2.2	17.6	H	2473	724
5PSS1000	500	1000	61	1090 - 50	33-44	70-81	2.5	19.4	H	2748	804
5PSS1100	500	1100	61	1190 - 50	33-44	70-81	2.7	20.7	H	3023	884
5PSS1200	500	1200	61	1290 - 50	33-44	70-81	3.0	22.9	H	3298	965
5PSS1400	500	1400	61	1490 - 50	33-44	70-81	3.4	26.4	H	3847	1126
5PSS1600	500	1600	61	1690 - 50	33-44	70-81	3.9	29.9	H	4397	1286
5PSS1800	500	1800	61	1890 - 50	33-44	70-81	4.4	33.6	H	4946	1447
5PSS2000	500	2000	61	2090 - 50	33-44	70-81	4.9	37.1	H	5496	1608

6PSS400	600	400	61	490 - 50	33-44	70-81	1.2	10.5	H	1272	372
6PSS500	600	500	61	590 - 50	33-44	70-81	1.5	12.6	H	1591	466
6PSS600	600	600	61	690 - 50	33-44	70-81	1.8	14.7	H	1909	559
6PSS700	600	700	61	790 - 50	33-44	70-81	2.1	16.8	H	2227	652
6PSS800	600	800	61	890 - 50	33-44	70-81	2.4	18.9	H	2545	745
6PSS900	600	900	61	990 - 50	33-44	70-81	2.7	21.0	H	2863	838
6PSS1000	600	1000	61	1090 - 50	33-44	70-81	3.0	23.1	H	3181	931
6PSS1100	600	1100	61	1190 - 50	33-44	70-81	3.3	25.2	H	3499	1024
6PSS1200	600	1200	61	1290 - 50	33-44	70-81	3.6	27.3	H	3817	1117
6PSS1400	600	1400	61	1490 - 50	33-44	70-81	4.2	31.5	H	4453	1303
6PSS1600	600	1600	61	1690 - 50	33-44	70-81	4.8	35.6	H	5090	1490
6PSS1800	600	1800	61	1890 - 50	33-44	70-81	5.8	40.1	H	5726	1676
6PSS2000	600	2000	61	2090 - 50	33-44	70-81	6.0	44.3	H	6362	1862

7PSS400	700	400	61	490 - 50	33-44	70-81	1.4	12.2	H	1434	420
7PSS500	700	500	61	590 - 50	33-44	70-81	1.8	14.6	H	1792	525
7PSS600	700	600	61	690 - 50	33-44	70-81	2.1	17.0	H	2150	629
7PSS700	700	700	61	790 - 50	33-44	70-81	2.5	19.5	H	2509	734
7PSS800	700	800	61	890 - 50	33-44	70-81	2.8	21.3	H	2867	839
7PSS900	700	900	61	990 - 50	33-44	70-81	3.2	24.3	H	3226	944
7PSS1000	700	1000	61	1090 - 50	33-44	70-81	3.5	26.8	H	3584	1049
7PSS1100	700	1100	61	1190 - 50	33-44	70-81	3.9	29.2	H	3942	1154
7PSS1200	700	1200	61	1290 - 50	33-44	70-81	4.2	31.2	H	4301	1259
7PSS1400	700	1400	61	1490 - 50	33-44	70-81	4.9	36.5	H	5018	1469

9PSS400	900	400	61	490 - 50	33-44	70-81	1.6	15.4	H	1720	503
9PSS500	900	500	61	590 - 50	33-44	70-81	2.1	18.5	H	2150	629
9PSS600	900	600	61	690 - 50	33-44	70-81	2.5	21.6	H	2580	755
9PSS700	900	700	61	790 - 50	33-44	70-81	2.9	24.8	H	3010	881

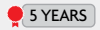


PSS

PLANAL

HORIZONTAL

PLANAL HORIZONTAL



WHITE WORKING PRESSURE WORKING TEMP. CLOSED SYSTEM MOUNT POS. WARRANTY

Product Name	Height mm	Length mm	Depth mm	Pipe Centres mm	Wall to Pipe Centre mm	Wall to Face mm	Water Content lt	Gross Weight kg	Fuel Options E/H/D	Heat Output ΔT 50	BTU	Watts
--------------	-----------	-----------	----------	-----------------	------------------------	-----------------	------------------	-----------------	--------------------	-------------------	-----	-------

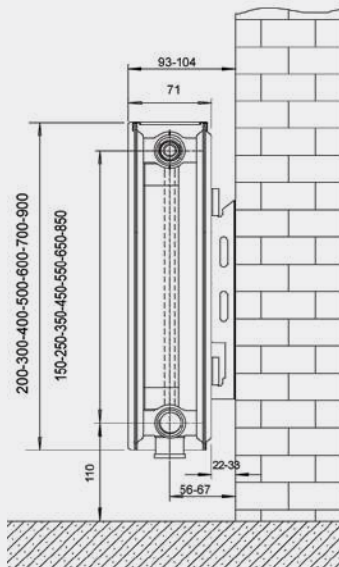
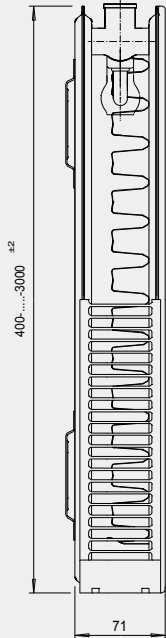
Type PHS

4PHS400	400	400	71	490 - 50	56-67	93-104	1.7	10.4	H	1370	401
4PHS500	400	500	71	590 - 50	56-67	93-104	2.1	12.5	H	1714	502
4PHS600	400	600	71	690 - 50	56-67	93-104	2.5	14.6	H	2056	602
4PHS700	400	700	71	790 - 50	56-67	93-104	2.9	16.8	H	2399	702
4PHS800	400	800	71	890 - 50	56-67	93-104	3.4	18.9	H	2742	802
4PHS900	400	900	71	990 - 50	56-67	93-104	3.8	21.1	H	3084	903
4PHS1000	400	1000	71	1090 - 50	56-67	93-104	4.2	23.2	H	3427	1003
4PHS1100	400	1100	71	1190 - 50	56-67	93-104	4.6	25.3	H	3770	1103
4PHS1200	400	1200	71	1290 - 50	56-67	93-104	5.0	27.5	H	4112	1204
4PHS1400	400	1400	71	1490 - 50	56-67	93-104	5.9	31.7	H	4798	1404
4PHS1600	400	1600	71	1690 - 50	56-67	93-104	6.7	36.0	H	5483	1605
4PHS1800	400	1800	71	1890 - 50	56-67	93-104	7.6	40.5	H	6169	1805
4PHS2000	400	2000	71	2090 - 50	56-67	93-104	8.4	44.7	H	6854	2006

5PHS400	500	400	71	490 - 50	56-67	93-104	2.0	12.7	H	1649	483
5PHS500	500	500	71	590 - 50	56-67	93-104	2.6	15.4	H	2061	604
5PHS600	500	600	71	690 - 50	56-67	93-104	3.1	18.0	H	2473	724
5PHS700	500	700	71	790 - 50	56-67	93-104	3.6	20.7	H	2885	845
5PHS800	500	800	71	890 - 50	56-67	93-104	4.1	23.3	H	3298	966
5PHS900	500	900	71	990 - 50	56-67	93-104	4.6	26.0	H	3710	1086
5PHS1000	500	1000	71	1090 - 50	56-67	93-104	5.1	28.6	H	4122	1207
5PHS1100	500	1100	71	1190 - 50	56-67	93-104	5.6	31.3	H	4534	1328
5PHS1200	500	1200	71	1290 - 50	56-67	93-104	6.1	34.0	H	4946	1448
5PHS1400	500	1400	71	1490 - 50	56-67	93-104	7.1	39.3	H	5771	1690
5PHS1600	500	1600	71	1690 - 50	56-67	93-104	8.2	44.6	H	6595	1931
5PHS1800	500	1800	71	1890 - 50	56-67	93-104	9.2	50.1	H	7420	2173
5PHS2000	500	2000	71	2090 - 50	56-67	93-104	10.2	55.4	H	8244	2414

6PHS400	600	400	71	490 - 50	56-67	93-104	2.3	15.0	H	1911	560
6PHS500	600	500	71	590 - 50	56-67	93-104	2.9	18.2	H	2389	700
6PHS600	600	600	71	690 - 50	56-67	93-104	3.5	21.4	H	2867	839
6PHS700	600	700	71	790 - 50	56-67	93-104	4.1	24.6	H	3345	979
6PHS800	600	800	71	890 - 50	56-67	93-104	4.6	27.7	H	3822	1119
6PHS900	600	900	71	990 - 50	56-67	93-104	5.2	30.9	H	4300	1259
6PHS1000	600	1000	71	1090 - 50	56-67	93-104	5.8	34.1	H	4778	1399
6PHS1100	600	1100	71	1190 - 50	56-67	93-104	6.4	37.2	H	5256	1539
6PHS1200	600	1200	71	1290 - 50	56-67	93-104	7.0	40.4	H	5734	1679
6PHS1400	600	1400	71	1490 - 50	56-67	93-104	8.1	46.8	H	6689	1959
6PHS1600	600	1600	71	1690 - 50	56-67	93-104	9.3	53.1	H	7645	2238
6PHS1800	600	1800	71	1890 - 50	56-67	93-104	10.4	59.8	H	8600	2518
6PHS2000	600	2000	71	2090 - 50	56-67	93-104	11.6	66.1	H	9556	2798

7PHS400	700	400	71	490 - 50	56-67	93-104	2.6	16.0	H	2229	653
7PHS500	700	500	71	590 - 50	56-67	93-104	3.3	21.1	H	2787	816
7PHS600	700	600	71	690 - 50	56-67	93-104	3.9	23.4	H	3344	979
7PHS700	700	700	71	790 - 50	56-67	93-104	4.5	27.1	H	3901	1142
7PHS800	700	800	71	890 - 50	56-67	93-104	5.2	30.8	H	4459	1306
7PHS900	700	900	71	990 - 50	56-67	93-104	5.8	34.5	H	5016	1469
7PHS1000	700	1000	71	1090 - 50	56-67	93-104	6.5	38.2	H	5573	1632
7PHS1200	700	1200	71	1190 - 50	56-67	93-104	7.8	45.5	H	6688	1958



PHS

PLANAL HORIZONTAL

PLANAL HORIZONTAL



WHITE WORKING PRESSURE WORKING TEMP. CLOSED SYSTEM MOUNT POS. WARRANTY

Product Name	Height mm	Length mm	Depth mm	Pipe Centres mm	Wall to Pipe Centre mm	Wall to Face mm	Water Content lt	Gross Weight kg	Fuel Options E/H/D	Heat Output ΔT 50	BTU	Watts
--------------	-----------	-----------	----------	-----------------	------------------------	-----------------	------------------	-----------------	--------------------	-------------------	-----	-------

Type PDS

3PDS500	300	500	104	590 - 50	72-83	126-137	1.7	10.9	H	1725	505
3PDS800	300	800	104	890 - 50	72-83	126-137	2.7	16.2	H	2760	808
3PDS1000	300	1000	104	1090 - 50	72-83	126-137	3.4	19.8	H	3450	1010
3PDS1200	300	1200	104	1290 - 50	72-83	126-137	4.1	23.3	H	4140	1212
3PDS1400	300	1400	104	1490 - 50	72-83	126-137	4.8	26.9	H	4830	1414
3PDS2000	300	2000	104	2090 - 50	72-83	126-137	6.8	37.7	H	6900	2020

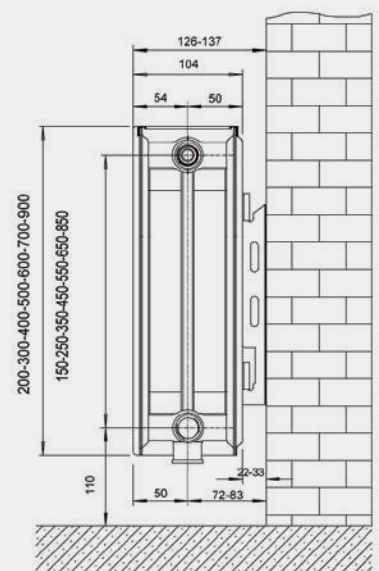
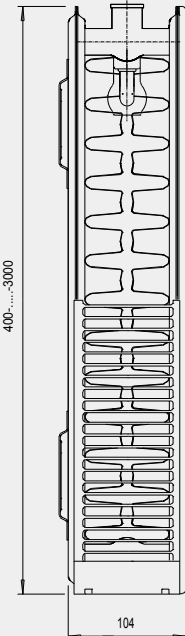
4PDS400	400	400	104	490 - 50	72-83	126-137	1.7	11.7	H	1767	517
4PDS500	400	500	104	590 - 50	72-83	126-137	2.2	14.1	H	2209	647
4PDS600	400	600	104	690 - 50	72-83	126-137	2.6	16.5	H	2650	776
4PDS700	400	700	104	790 - 50	72-83	126-137	3.0	18.9	H	3092	905
4PDS800	400	800	104	890 - 50	72-83	126-137	3.4	21.2	H	3534	1034
4PDS900	400	900	104	990 - 50	72-83	126-137	3.9	23.6	H	3975	1164
4PDS1000	400	1000	104	1090 - 50	72-83	126-137	4.3	26.0	H	4417	1293
4PDS1100	400	1100	104	1190 - 50	72-83	126-137	4.7	27.4	H	4859	1422
4PDS1200	400	1200	104	1290 - 50	72-83	126-137	5.2	30.8	H	5300	1552
4PDS1400	400	1400	104	1490 - 50	72-83	126-137	6.0	35.5	H	6184	1810
4PDS1600	400	1600	104	1690 - 50	72-83	126-137	6.9	40.3	H	7067	2069
4PDS1800	400	1800	104	1890 - 50	72-83	126-137	7.7	45.2	H	7951	2327
4PDS2000	400	2000	104	2090 - 50	72-83	126-137	8.6	50.0	H	8834	2586

5PDS400	500	400	104	490 - 50	72-83	126-137	2.1	14.4	H	2124	622
5PDS500	500	500	104	590 - 50	72-83	126-137	2.6	17.3	H	2655	777
5PDS600	500	600	104	690 - 50	72-83	126-137	3.1	20.3	H	3185	932
5PDS700	500	700	104	790 - 50	72-83	126-137	3.6	23.3	H	3716	1088
5PDS800	500	800	104	890 - 50	72-83	126-137	4.2	26.2	H	4247	1243
5PDS900	500	900	104	990 - 50	72-83	126-137	4.7	29.2	H	4778	1399
5PDS1000	500	1000	104	1090 - 50	72-83	126-137	5.2	32.2	H	5309	1554
5PDS1100	500	1100	104	1190 - 50	72-83	126-137	5.7	34.8	H	5840	1709
5PDS1200	500	1200	104	1290 - 50	72-83	126-137	6.2	38.1	H	6371	1865
5PDS1400	500	1400	104	1490 - 50	72-83	126-137	7.3	44.1	H	7433	2176
5PDS1600	500	1600	104	1690 - 50	72-83	126-137	8.3	50.0	H	8494	2486
5PDS1800	500	1800	104	1890 - 50	72-83	126-137	9.3	56.2	H	9556	2797
5PDS2000	500	2000	104	2090 - 50	72-83	126-137	10.4	62.1	H	10618	3108

6PDS400	600	400	104	490 - 50	72-83	126-137	2.4	17.0	H	2452	718
6PDS500	600	500	104	590 - 50	72-83	126-137	3.0	20.6	H	3065	897
6PDS600	600	600	104	690 - 50	72-83	126-137	3.6	24.1	H	3677	1076
6PDS700	600	700	104	790 - 50	72-83	126-137	4.1	27.7	H	4290	1256
6PDS800	600	800	104	890 - 50	72-83	126-137	4.7	31.3	H	4903	1435
6PDS900	600	900	104	990 - 50	72-83	126-137	5.3	34.8	H	5516	1615
6PDS1000	600	1000	104	1090 - 50	72-83	126-137	5.9	38.4	H	6129	1794
6PDS1100	600	1100	104	1190 - 50	72-83	126-137	6.5	41.9	H	6742	1973
6PDS1200	600	1200	104	1290 - 50	72-83	126-137	7.1	45.5	H	7355	2153
6PDS1400	600	1400	104	1490 - 50	72-83	126-137	8.3	52.6	H	8581	2512
6PDS1600	600	1600	104	1690 - 50	72-83	126-137	9.5	59.7	H	9806	2870
6PDS1800	600	1800	104	1890 - 50	72-83	126-137	10.6	67.2	H	11032	3229
6PDS2000	600	2000	104	2090 - 50	72-83	126-137	11.8	74.3	H	12258	3588

7PDS400	700	400	104	490 - 50	72-83	126-137	2.7	19.7	H	2755	806
7PDS500	700	500	104	590 - 50	72-83	126-137	3.4	23.8	H	3444	1008
7PDS600	700	600	104	690 - 50	72-83	126-137	4.1	28.0	H	4132	1210
7PDS700	700	700	104	790 - 50	72-83	126-137	4.8	32.1	H	4821	1411
7PDS800	700	800	104	890 - 50	72-83	126-137	5.5	36.3	H	5510	1613
7PDS900	700	900	104	990 - 50	72-83	126-137	6.1	40.4	H	6198	1814
7PDS1000	700	1000	104	1090 - 50	72-83	126-137	6.8	44.6	H	6887	2016
7PDS1100	700	1100	104	1190 - 50	72-83	126-137	7.5	47.1	H	7576	2218
7PDS1200	700	1200	104	1290 - 50	72-83	126-137	8.2	52.9	H	8264	2419
7PDS1400	700	1400	104	1490 - 50	72-83	126-137	9.5	61.2	H	9642	2822

9PDS400	900	400	104	490 - 50	72-83	126-137	3.1	25.0	H	3289	963
9PDS500	900	500	104	590 - 50	72-83	126-137	3.9	30.3	H	4111	1203
9PDS600	900	600	104	690 - 50	72-83	126-137	4.7	35.6	H	4933	1444
9PDS700	900	700	104	790 - 50	72-83	126-137	5.5	40.9	H	5755	1685



PDS

PLANAL HORIZONTAL

PLANAL HORIZONTAL



WHITE

WORKING PRESSURE

WORKING TEMP.

CLOSED SYSTEM

MOUNT POS.

WARRANTY

Product Name	Height mm	Length mm	Depth mm	Pipe Centres mm	Wall to Pipe Centre mm	Wall to Face mm	Water Content lt	Gross Weight kg	Fuel Options E/H/D	Heat Output $\Delta T 50$ BTU	Watts
--------------	-----------	-----------	----------	-----------------	------------------------	-----------------	------------------	-----------------	--------------------	-------------------------------	-------

Type PTS

*SPECIAL ORDER ONLY - TYPE PTS MODELS NOT AVAILABLE FROM STOCK

2PTS600	200	600	164	690 - 50	72-83	186-197	2.4	12.3	H	1738	509
2PTS800	200	800	164	890 - 50	72-83	186-197	3.2	16.4	H	2322	680
2PTS1000	200	1000	164	1090 - 50	72-83	186-197	4.0	20.5	H	2903	850
2PTS1400	200	1400	164	1490 - 50	72-83	186-197	5.6	28.7	H	4064	1190
2PTS2000	200	2000	164	2090 - 50	72-83	186-197	8.0	41.0	H	5802	1699
2PTS2400	200	2400	164	2490 - 50	72-83	186-197	9.6	49.2	H	6963	2039

3PTS500	300	500	164	590 - 50	72-83	186-197	12.7	14.4	H	2104	616
3PTS600	300	600	164	690 - 50	72-83	186-197	15.2	17.0	H	2534	742
3PTS800	300	800	164	890 - 50	72-83	186-197	20.2	22.0	H	3374	988
3PTS1000	300	1000	164	1090 - 50	72-83	186-197	25.3	27.0	H	4221	1236
3PTS1200	300	1200	164	1290 - 50	72-83	186-197	30.4	32.1	H	5064	1483
3PTS1400	300	1400	164	1490 - 50	72-83	186-197	35.4	37.1	H	5908	1730
3PTS1600	300	1600	164	1690 - 50	72-83	186-197	40.5	42.2	H	6758	1979
3PTS1800	300	1800	164	1890 - 50	72-83	186-197	45.5	47.2	H	7595	2224
3PTS2000	300	2000	164	2090 - 50	72-83	186-197	50.6	52.2	H	8442	2472

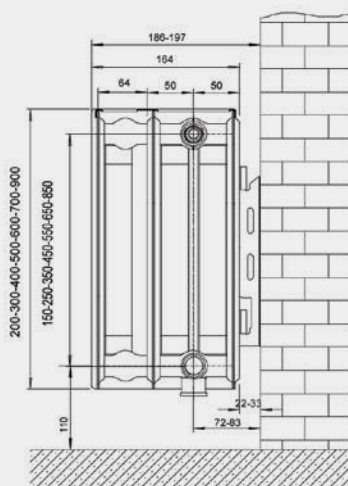
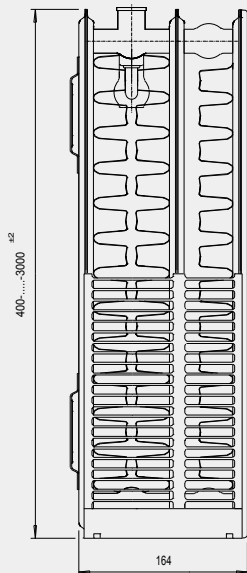
4PTS500	400	500	164	590 - 50	72-83	186-197	3.2	18.9	H	2697	790
4PTS600	400	600	164	690 - 50	72-83	186-197	3.8	22.2	H	3248	951
4PTS800	400	800	164	890 - 50	72-83	186-197	5.1	28.9	H	4327	1267
4PTS1000	400	1000	164	1090 - 50	72-83	186-197	6.4	35.7	H	5409	1584
4PTS1200	400	1200	164	1290 - 50	72-83	186-197	7.6	42.4	H	6495	1902
4PTS1400	400	1400	164	1490 - 50	72-83	186-197	8.9	49.1	H	7574	2218
4PTS1600	400	1600	164	1690 - 50	72-83	186-197	10.2	55.8	H	8657	2535
4PTS1800	400	1800	164	1890 - 50	72-83	186-197	11.4	62.6	H	9740	2852
4PTS2000	400	2000	164	2090 - 50	72-83	186-197	12.7	69.3	H	10822	3169

5PTS400	500	400	164	490 - 50	72-83	186-197	3.0	19.1	H	3254	953
5PTS500	500	500	164	590 - 50	72-83	186-197	3.8	23.3	H	3887	1138
5PTS600	500	600	164	690 - 50	72-83	186-197	4.6	27.5	H	3900	1142
5PTS800	500	800	164	890 - 50	72-83	186-197	6.1	35.9	H	5201	1523
5PTS1000	500	1000	164	1090 - 50	72-83	186-197	7.6	44.3	H	6502	1904
5PTS1200	500	1200	164	1290 - 50	72-83	186-197	9.1	52.7	H	7803	2285
5PTS1400	500	1400	164	1490 - 50	72-83	186-197	10.7	61.1	H	9104	2666
5PTS1600	500	1600	164	1690 - 50	72-83	186-197	12.2	69.5	H	10402	3046
5PTS1800	500	1800	164	1890 - 50	72-83	186-197	13.7	77.9	H	11707	3428
5PTS2000	500	2000	164	2090 - 50	72-83	186-197	15.2	86.3	H	13008	3809

6PTS400	600	400	164	490 - 50	72-83	186-197	3.6	22.6	H	3002	879
6PTS500	600	500	164	590 - 50	72-83	186-197	4.5	27.7	H	3739	1095
6PTS600	600	600	164	690 - 50	72-83	186-197	5.3	32.7	H	4501	1318
6PTS800	600	800	164	890 - 50	72-83	186-197	7.1	42.8	H	6004	1758
6PTS900	600	900	164	990 - 50	72-83	186-197	8.0	47.8	H	6732	1971
6PTS1000	600	1000	164	1090 - 50	72-83	186-197	8.9	52.9	H	7506	2198
6PTS1200	600	1200	164	1290 - 50	72-83	186-197	10.7	63.0	H	9005	2637
6PTS1400	600	1400	164	1490 - 50	72-83	186-197	12.5	73.0	H	10508	3077
6PTS1600	600	1600	164	1690 - 50	72-83	186-197	14.3	83.1	H	12007	3516
6PTS1800	600	1800	164	1890 - 50	72-83	186-197	16.0	93.2	H	13510	3956
6PTS2000	600	2000	164	2090 - 50	72-83	186-197	17.8	103.3	H	15009	4395

7PTS400	700	400	164	490 - 50	72-83	186-197	4.1	26.2	H	3357	983
7PTS500	700	500	164	590 - 50	72-83	186-197	5.1	32.1	H	4196	1229
7PTS600	700	600	164	690 - 50	72-83	186-197	6.1	37.9	H	5033	1474
7PTS800	700	800	164	890 - 50	72-83	186-197	8.1	49.7	H	6711	1965
7PTS1000	700	1000	164	1090 - 50	72-83	186-197	10.2	61.5	H	8390	2457

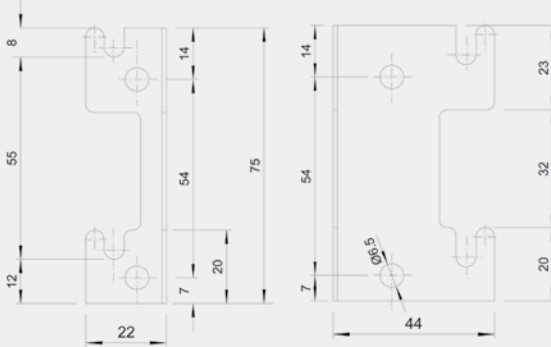
9PTS400	900	400	164	490 - 50	72-83	186-197	4.8	33.3	H	3991	1169
9PTS500	900	500	164	590 - 50	72-83	186-197	6.0	40.8	H	4989	1461
9PTS600	900	600	164	690 - 50	72-83	186-197	7.2	48.4	H	5988	1753
9PTS800	900	800	164	890 - 50	72-83	186-197	9.6	63.5	H	7982	2337
9PTS1000	900	1000	164	1090 - 50	72-83	186-197	12.0	78.6	H	9979	2922



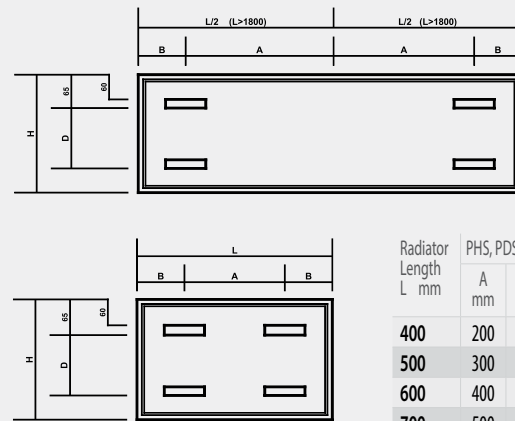
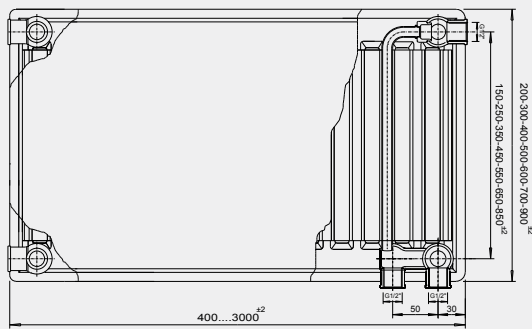
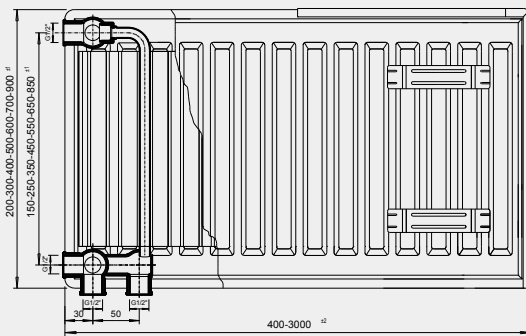
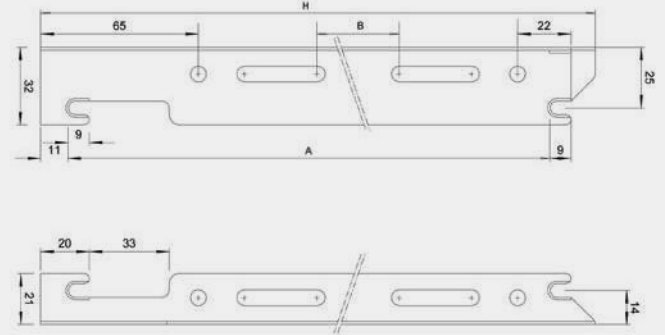
CONCEALED WALL BRACKETS

Height mm	H	A	B
300	185	155	-
400	285	255	90
500	385	355	190
600	485	455	290
700	585	555	390
900	785	755	590

200mm Wall Bracket



from 300mm upwards



H mm	D mm
200	55
300	115
400	255
500	355
600	455
700	555
900	755

Radiator Length L mm	PHS, PDS, PTS		PSS		Rows of Brackets Lugs
	A mm	B mm	A mm	B mm	
400	200	100	170	115	2
500	300	100	270	115	2
600	400	100	370	115	2
700	500	100	470	115	2
800	600	100	570	115	2
900	700	100	670	115	2
1000	800	100	770	115	2
1100	900	100	870	115	2
1200	1000	100	970	115	2
1300	1100	100	1070	115	2
1400	1200	100	1170	115	2
1600	1400	100	1370	115	2
1800	800	100	785	115	3
2000	900	100	885	115	3

Ref. Heat Outputs to EN442 = ΔT 60 - Per Metre Length

Length		Single Planal PSS		Single Plus Planal PHS		Double Planal PDS	
inch	mm	Watts	Btu	Watts	Btu	Watts	Btu
12	300	651	2048	-	-	1266	3984
15.7	400	839	2640	1257	3953	1620	5098
19.7	500	1008	3171	1512	4757	1947	6125
23.6	600	1167	3673	1753	5515	2248	7073
27.6	700	1315	4138	-	-	2527	7949
35.4	900	1577	4962	-	-	3016	9489

