



MARBELLA

Sensuous and smooth mixture of natural stone panels and stainless steel bars. A wide choice of sizes and stones allows the tailored design to complement the individual's own style.

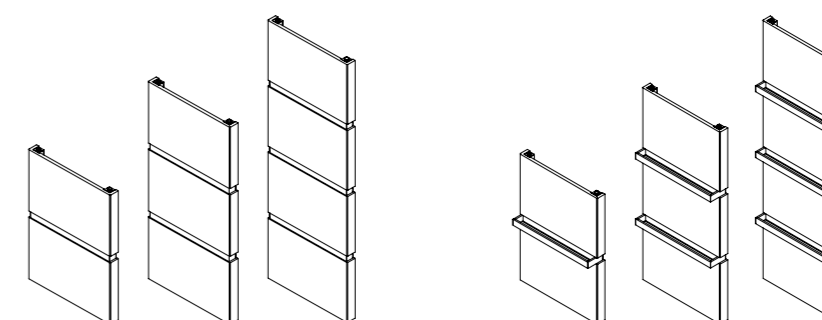
RT Model shown on opposite page: MAR4-P (polished belts) with MNA (Nero Assoluto) granite tiles
 Above: MAR3T-P (polished towel bars + belts) with MCM (Crema Marfil) marble tiles

MARBELLA

SS MATERIAL **10** WORKING PRESSURE **120°C** WORKING TEMP. **O C** OPEN/CLOSED SYSTEM **V** MOUNT POSITION **20 YEARS** WARRANTY

Product Name	Height (mm)	Length (mm)	Depth (mm)	Fuel Options (E/H/D)	Pipes or Sections	Heat Output (BTU/w) ΔT 50	E: Electric only		Finish S: Brushed Matt P: Polished
							Choice of Elements (Watts)		
MAR2	845	600	60	E/H/D	8	1680 492	300	400	S,P
MAR3	1285	600	60	E/H/D	12	2507 734	400	600	S,P
MAR4	1725	600	60	E/H/D	16	3354 982	600	900	S,P
MAR2T	845	600	120	E/H/D	8	1697 497	300	400	S,P
MAR3T	1285	600	120	E/H/D	12	2532 741	400	600	S,P
MAR4T	1725	600	120	E/H/D	16	3388 992	600	900	S,P
MNA (Nero Assoluto)	400	600	60			Black Granite Natural Stone - Polished finish			
MCM (Crema Marfil)	400	600	60			Beige Marble Natural Stone - Polished finish			
MTC (Travertine Classico)	400	600	60			Beige Travertine Natural Stone - Satin matt finish			

We recommend the 3 Bar Safety Valve for all ELECTRIC ONLY (E) products. Dual Fuel is possible either by use of "T" piece and radiator valve or by use of ONE850 or ONE851 (4 way valve)



Call us on 01908 271155 or visit www.aeon.uk.com