

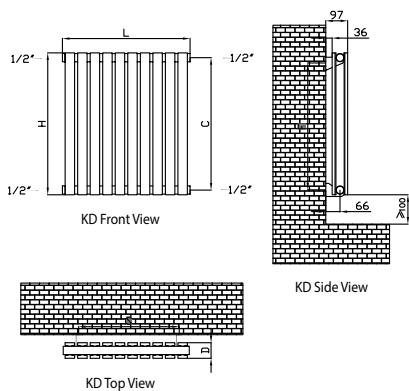
KLON HORIZONTAL



D-shaped profile

A contemporary design with a 25x25mm tube in mild steel with a D-shaped profile, available in white, micro grain metallic black and charcoal.

fi MODEL SHOWN: KD628W



KLON HORIZONTAL

RAL 9016 B G 10 95°C C H 5 YEARS
 WHITE BLACK CHARCOAL GREY WORKING PRESSURE WORKING TEMP. CLOSED SYSTEM MOUNT POS. WARRANTY

Product Name	Height mm	Length mm	Depth mm	Pipe Centres mm	Wall to Pipe Centre mm	Wall to Face mm	Water Content lt	Gross Weight kg	Fuel Options E/H/D	Heat Output ΔT 50		Finish		
										BTU	Watts	White W	Black B	Charcoal Grey G
KD416	420	611	87	701	66	109	6.5	18.5	H	3046	892	✓	✓	✓
KD422	420	839	87	929	66	109	9.3	24.7	H	4190	1227	✓	✓	✓
KD428	420	1067	87	1157	66	109	12.1	31.0	H	5338	1563	✓	✓	✓
KD432	420	1219	87	1309	66	109	13.9	35.1	H	6099	1786	✓	✓	✓
KD436	420	1371	87	1461	66	109	15.8	39.3	H	6864	2010	✓	✓	✓
KD614	600	535	87	625	66	109	7.7	22.9	H	3200	937	✓		
KD616	600	611	87	701	66	109	9.0	26.2	H	3657	1071	✓	✓	✓
KD622	600	839	87	929	66	109	12.8	35.3	H	5030	1473	✓	✓	✓
KD628	600	1067	87	1157	66	109	16.7	44.4	H	6407	1876	✓	✓	✓
KD632	600	1219	87	1309	66	109	19.2	50.5	H	7322	2144	✓	✓	✓
KD636	600	1371	87	1461	66	109	21.8	56.6	H	8237	2412	✓	✓	✓
KD642	600	1599	87	1689	66	109	25.6	66.0	H	9610	2814	✓		

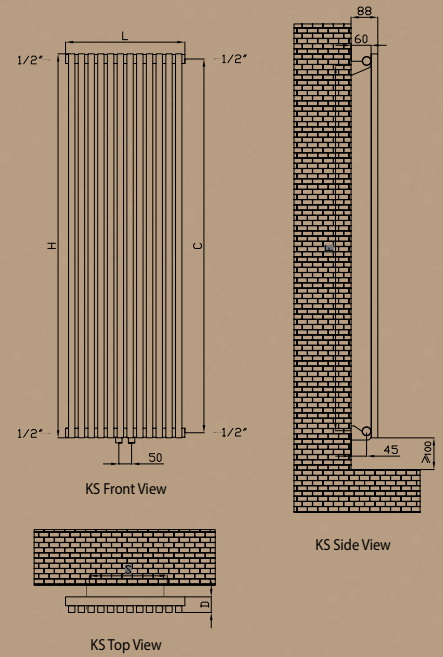
KLON VERTICAL

D-shaped profile

Your choice of 1500, 1800 and 2000mm heights of a 25x25mm tube radiator available in white, chrome, micro grain metallic black and charcoal.

fi LEFT: MODEL SHOWN: KD1814 – BLACK

fi RIGHT: MODEL SHOWN: KD1806 – CHARCOAL GREY



KLON VERTICAL



WHITE BLACK CHARCOAL GREY CHROME WORKING PRESSURE WORKING TEMP. CLOSED SYSTEM MOUNT POS. WARRANTY

Product Name	Height mm	Length mm	Depth mm	Pipe Centres mm	Wall to Pipe Centre mm	Wall to Face mm	Water Content lt	Gross Weight kg	Fuel Options E/H/D	Heat Output $\Delta T 50$		Finish			
										BTU	Watts	White W	Black B	Charcoal Grey G	Chrome C
KS1510	1500	383	61	50-473	45	88	4.9	21.4	E/H/D	2937	860	✓	✓	✓	✓
KS1512	1500	459	61	50-549	45	88	6.5	25.7	E/H/D	3524	1032			✓	✓
KS1810	1800	383	61	50-473	45	88	5.8	25.4	E/H/D	3483	1020	✓	✓	✓	✓
KS1816	1800	611	61	50-701	45	88	11.4	39.2	E/H/D	5573	1632	✓	✓	✓	✓
KD1506	1500	231	87	50-321	66	109	6.2	22.2	H	2879	843	✓	✓		
KD1510	1500	383	87	50-473	66	109	12.2	39.1	E/H/D	4798	1405	✓	✓	✓	
KD1514	1500	535	87	50-625	66	109	18.3	38.0	E/H/D	6717	1967	✓	✓		
KD1806	1800	231	87	50-321	66	109	7.3	29.2	H	3719	1089	✓	✓	✓	
KD1810	1800	383	87	50-473	66	109	14.6	47.4	E/H/D	6198	1815	✓	✓	✓	
KD1812	1800	459	87	50-549	66	109	18.2	55.0	E/H/D	7438	2178	✓	✓		
KD1814	1800	535	87	50-625	66	109	21.8	64.2	E/H/D	8678	2541	✓	✓	✓	
KD2014	2000	535	87	50-625	66	109	24.2	71.0	E/H/D	8264	2420	✓			

